



H3BD 500A-1600A

Class of operation: aR

保护特性: aR



Standard/ 标准: IEC 60269-4, GB/T 13539.4, UL248-13

INTERRUPTING CAPACITY/ 分断能力:

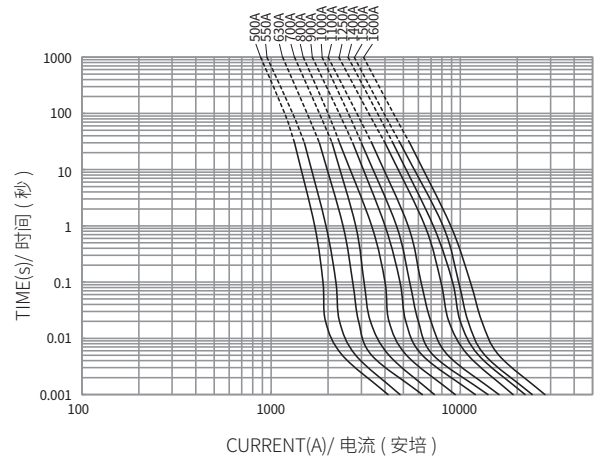
200,000 amperes at 690V AC

H3BD 平均 I-T 曲线图 (仅供参考)
AVERAGE I-T CHARACTERISTICS CURVE
(FOR REFERENCE ONLY)

TECHNICAL PARAMETERS/ 技术参数:

PART NO. 目录编号			额定电流	额定电压	SAFETY APPROVALS 安全认证
Type-A Type center Indicator for micro	Type-B Type top Indicator for micro	Type-C Visual Indicator	Rated Current	Rated Voltage	CCC
H3BD500	H3BD500B	H3BD500C	500A	690V AC	●
H3BD550	H3BD550B	H3BD550C	550A		●
H3BD630	H3BD630B	H3BD630C	630A		●
H3BD700	H3BD700B	H3BD700C	700A		●
H3BD800	H3BD800B	H3BD800C	800A		●
H3BD900	H3BD900B	H3BD900C	900A		●
H3BD1000	H3BD1000B	H3BD1000C	1000A		●
H3BD1100	H3BD1100B	H3BD1100C	1100A		●
H3BD1250	H3BD1250B	H3BD1250C	1250A		●
H3BD1400	H3BD1400B	H3BD1400C	1400A		●
H3BD1500	H3BD1500B	H3BD1500C	1500A		●
H3BD1600	H3BD1600B	H3BD1600C	1600A		●

● DENOTES FOR APPROVAL ● 表示已取得安全认证
○ DENOTES FOR PENDING ○ 表示正在申请安全认证



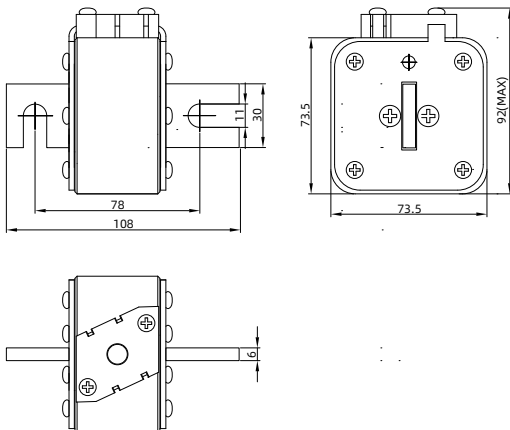
目录编号 PART NO.	可选配件 Optional Accessory
H3BD(amp rating)	HMC-01
H3BD(amp rating)B	HMT-01

Dimensions/ 尺寸:

Unit 单位: mm

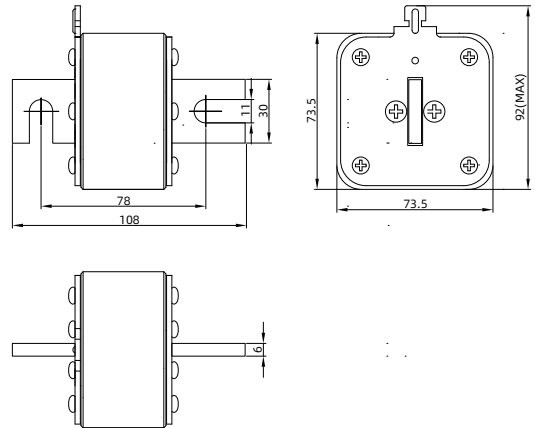
Type:H3BD

Part No.: H3BD(amp rating)



Type:H3BD

Part No.: H3BD(amp rating)B



Type:H3BD

Part No.: H3BD(amp rating)C

